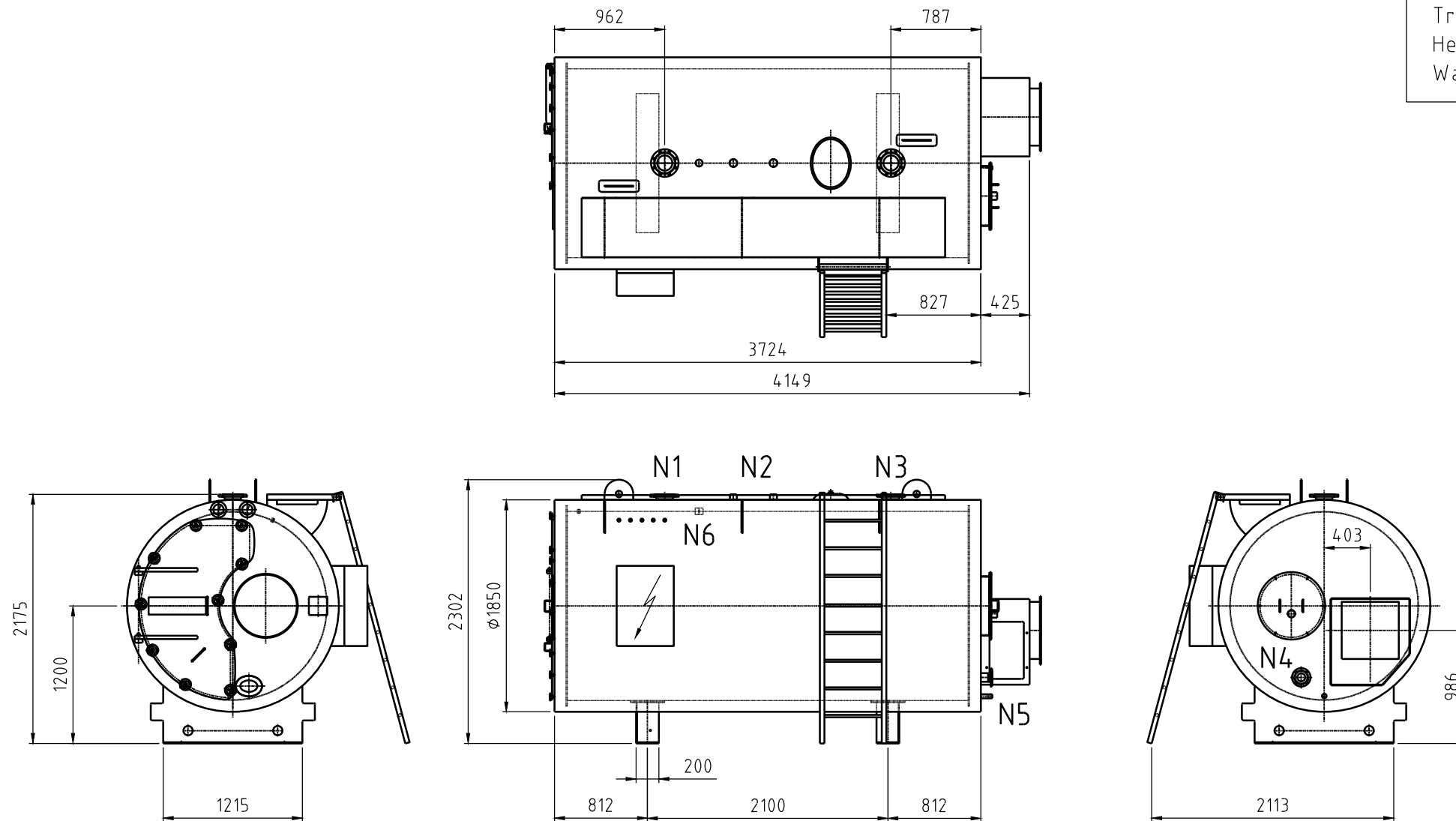

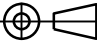


Burnerpanel frame work and platform with stairs are optional.  
 Transportmass: ±3,4 t  
 Heated surface: 59m<sup>2</sup>  
 Watercontent: 4,5m<sup>3</sup>



In case of an order exact boiler weight and measurements will be given on request. Subject to modifications.

NOZZLE CHART (DIN)			
	NAME	DN	PN
N1	SUPPLY	125	6
N2	SAFETY VALVES (2x)	2"	-
N3	RETURN	125	6
N4	SHUNT	65	6
N5	DRAIN	1"	-
N6	LOW WATER LEVEL	2"	-

Index	Date	Drawn	Checked	Modifications
				
Drawing number:		30550800.HKB		
Title:		LNE COMPACT 1.5		
Project number:		Customer: TK-Top Boiler		
Size:	A3	Scale:	1:40	
Modification:	1	Projection:		
Drawn:	NG	Date:	24-04-2014	
Checked:	RH	Date:	24-04-2014	

The information contained in this drawing is the sole property of HKB Ketelbouw B.V. Any reproduction in part or as a whole without the written permission of HKB Ketelbouw B.V. is prohibited.



Woudeselaan 22, 2635 CH Den Hoorn, Nederland  
 Telephone: +31(0)15-2125547 Fax: +31(0)15-284 0505  
 E-Mail: info@tk-topboiler.nl