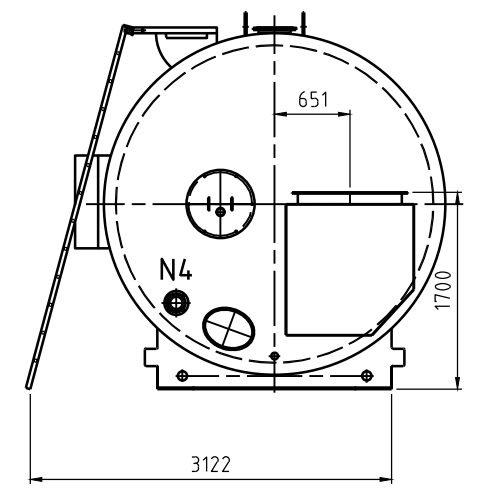
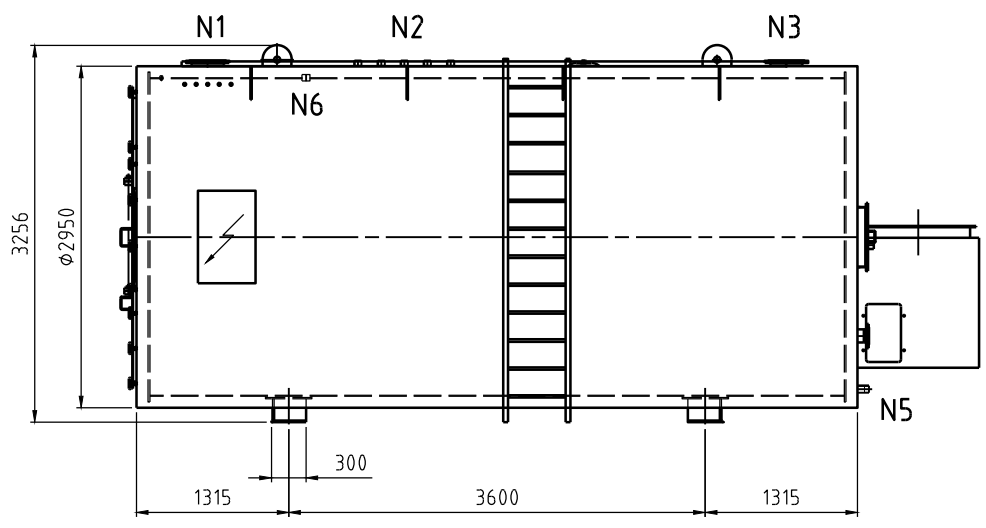
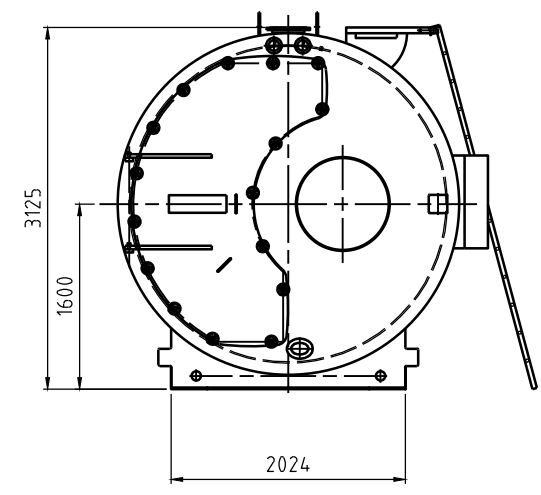
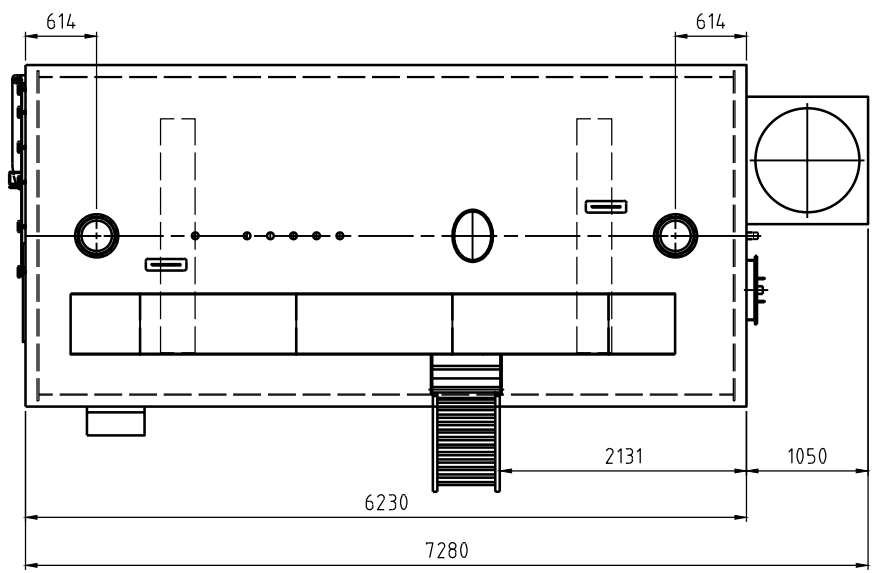


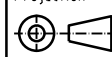


Burnerpanel frame work and platform with stairs are optional.  
 Transportmass: ±16,7  
 Heated surface: 24.0m<sup>2</sup>  
 Watercontent: 19m<sup>3</sup>



In case of an order exact boiler weight and measurements will be given on request. Subject to modifications.

NOZZLE CHART (ANSI)			
	NAME	DN	lbs
N1	SUPPLY	250	150
N2	SAFETY VALVES (5x)	2"	-
N3	RETURN	250	150
N4	SHUNT	100	150
N5	DRAIN	2"	-
N6	LOW WATER LEVEL	2"	6000

Index	Date	Drawn	Checked	Modifications
				
Drawing number: 30550800.HKB				Size: A3 Scale: 1:40
				Modification: 1 Projection: 
Title: LNE COMPACT 7.0 ASME				Drawn: NG Date: 24-04-2014
Project number:			Customer: TK-Top Boiler	
Checked: RH				Date: 24-04-2014

The information contained in this drawing is the sole property of HKB Ketelbouw B.V. Any reproduction in part or as a whole without the written permission of HKB Ketelbouw B.V. is prohibited.



Woudeselaan 22, 2635 CH Den Hoorn, Nederland  
 Telefoon: +31(0)15-2125547 Fax: +31(0)15-284 0505  
 E-Mail: info@tk-topboiler.nl