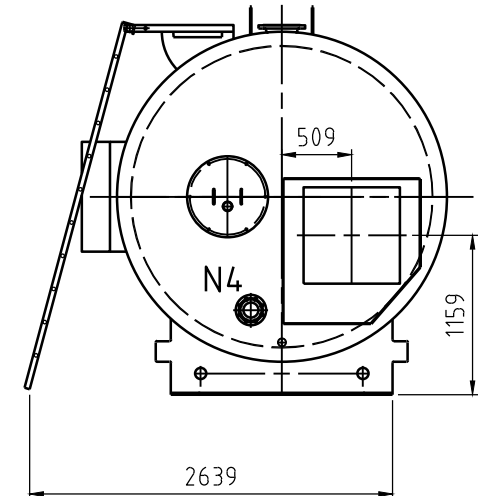
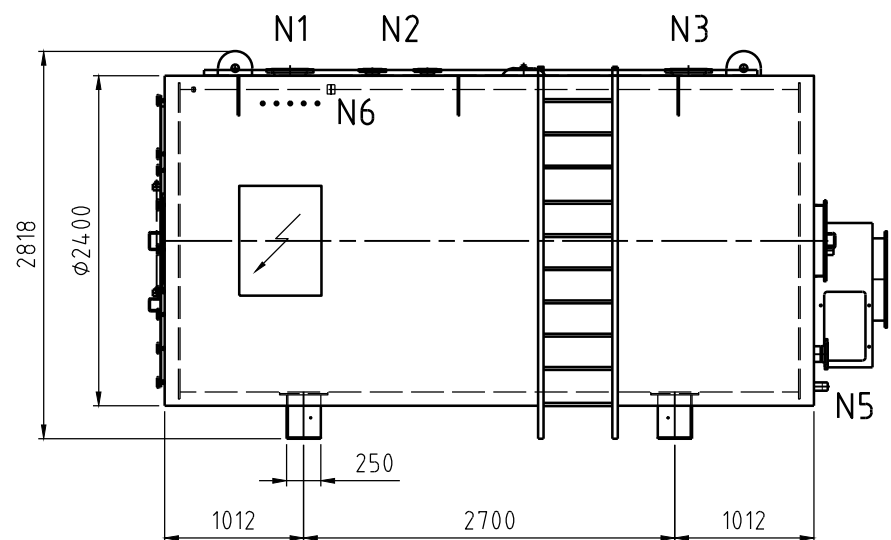
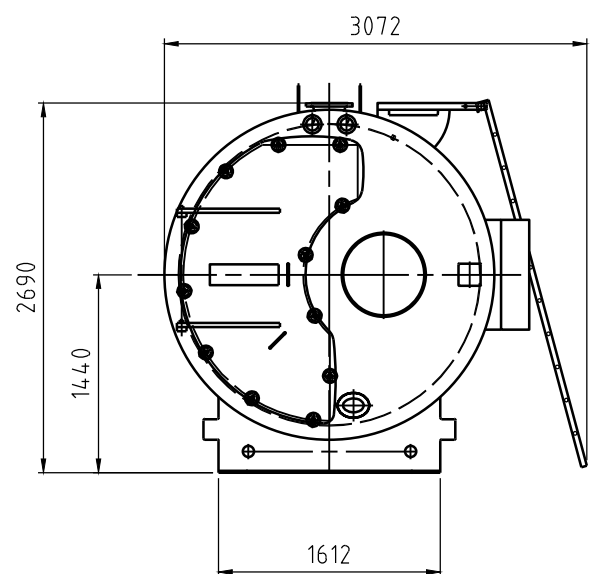
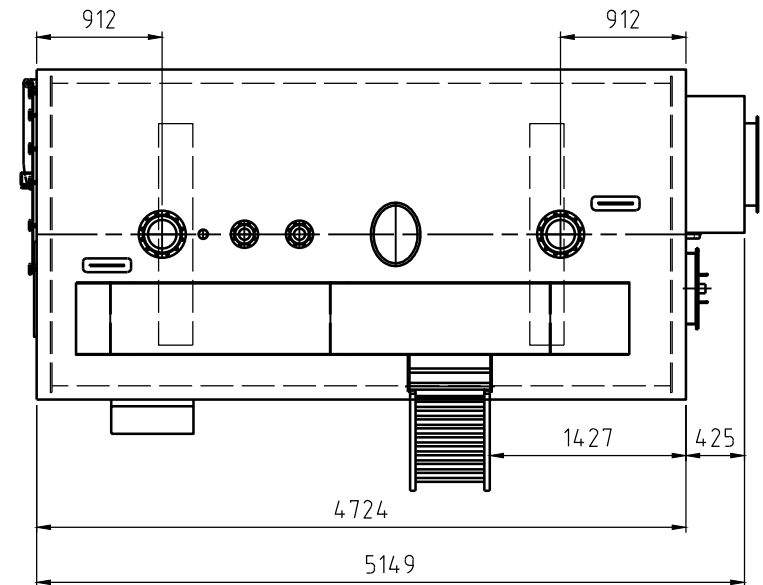


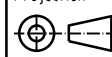


Burnerpanel frame work and platform with stairs are optional.
 Transportmass: ±7 t excl condensor
 Heated surface: 130m2
 Watercontent: 10,0m3



In case of an order exact boiler weight and measurements will be given on request. Subject to modifications.

NOZZLE CHART (DIN)			
	NAME	DN	PN
N1	SUPPLY	200	6
N2	SAFETY VALVES (2x)	80	16
N3	RETURN	200	6
N4	SHUNT	100	6
N5	DRAIN	2"	-
N6	LOW WATER LEVEL	2"	-

Index	Date	Drawn	Checked	Modifications
 Drawing number: 30550800.HKB				
 Title: LNE COMPACT 3.5				
HKB Ketelbouw B.V. Rijnaakkade 16 5928 PT Venlo Tel: 0031-77-7504000 www.hkb-ketelbouw.nl				
Project number:		Customer: TK-Top Boiler		
Size:	A3	Scale:	1:40	
Modification:	1	Projection:		
Drawn:	NG	Date:	24-04-2014	
Checked:	RH	Date:	24-04-2014	

The information contained in this drawing is the sole property of HKB Ketelbouw B.V.
 Any reproduction in part or as a whole without the written permission of HKB Ketelbouw B.V. is prohibited.



Woudeselaan 22, 2635 CH Den Hoorn, Nederland
 Telefoon: +31(0)15-2125547 Fax: +31(0)15-284 0505
 E-Mail: info@tk-topboiler.nl